

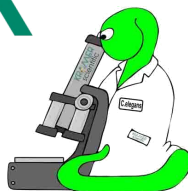
# High Resolution Fluorescence Microscope

# FBS10



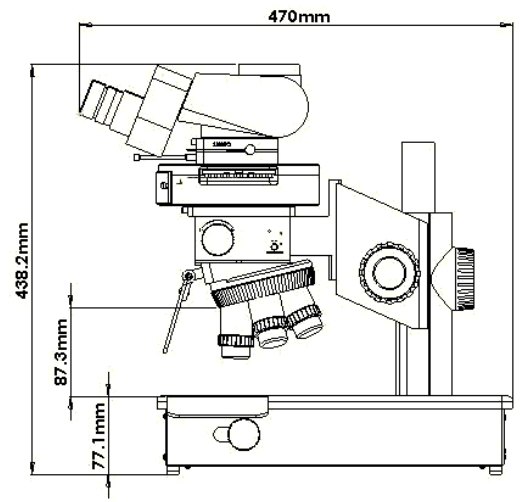
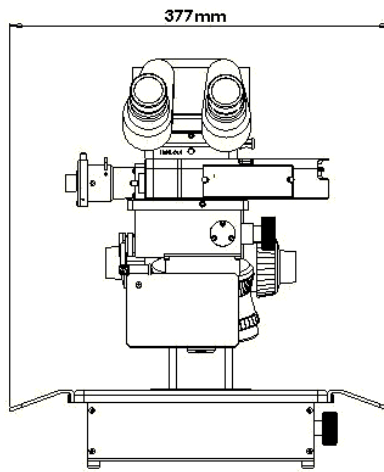
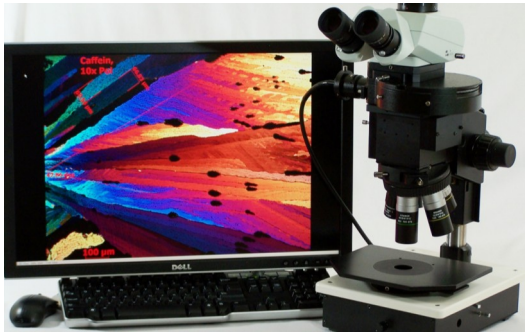
- High resolution with long working distance
- NO slide mounting necessary! The FBS10 works through a covered petrie dish and agar environment
- Better light throughput than stereo

**KRAMMER**  
scientific



Contact us:  
[www.kramerscientific.com](http://www.kramerscientific.com)  
91 High Street  
Amesbury MA 01913  
Tel: +1 978 388 7159  
[info@kramerscientific.com](mailto:info@kramerscientific.com)

# FBS10



## Quick-specs

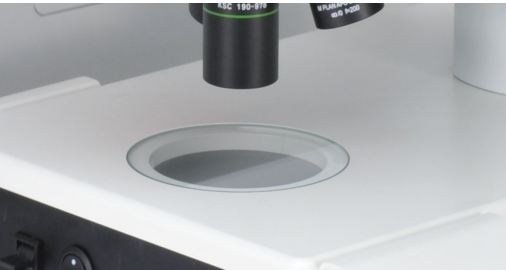


Kramer Objectives		
2x Plan APO	0.055 NA	34 mm WD
5x Plan APO	0.14 NA	34 mm WD
10x Plan APO	0.30 NA	34 mm WD
10x HR	0.45 NA	19 mm WD
20x HR	0.60 NA	13 mm WD
50x Plan APO	0.55 NA	13 mm WD

Find us on the web at:  
[www.kramerscientific.com](http://www.kramerscientific.com)  
 Contact us at:  
[info@kramerscientific.com](mailto:info@kramerscientific.com)



An Octo-Fluorescence Illuminator holds up to 8 pre-aligned Kramer Fluorescence Filter Cubes. With an extensive number of specifically made and mounted, Chroma filter sets available your needs can be easily met.



Long working distance objectives and Pseudo Stereo technology allows for ease of sample manipulation.



Optional Discrete Zoom - 2x / 1x / 0.5x allows for fast zoom without light loss associated with standard zoom tubes.



Standard Mirror Transmission Light Base with Kramer designed LED light source integrated base.

**KRAMER**  
 scientific